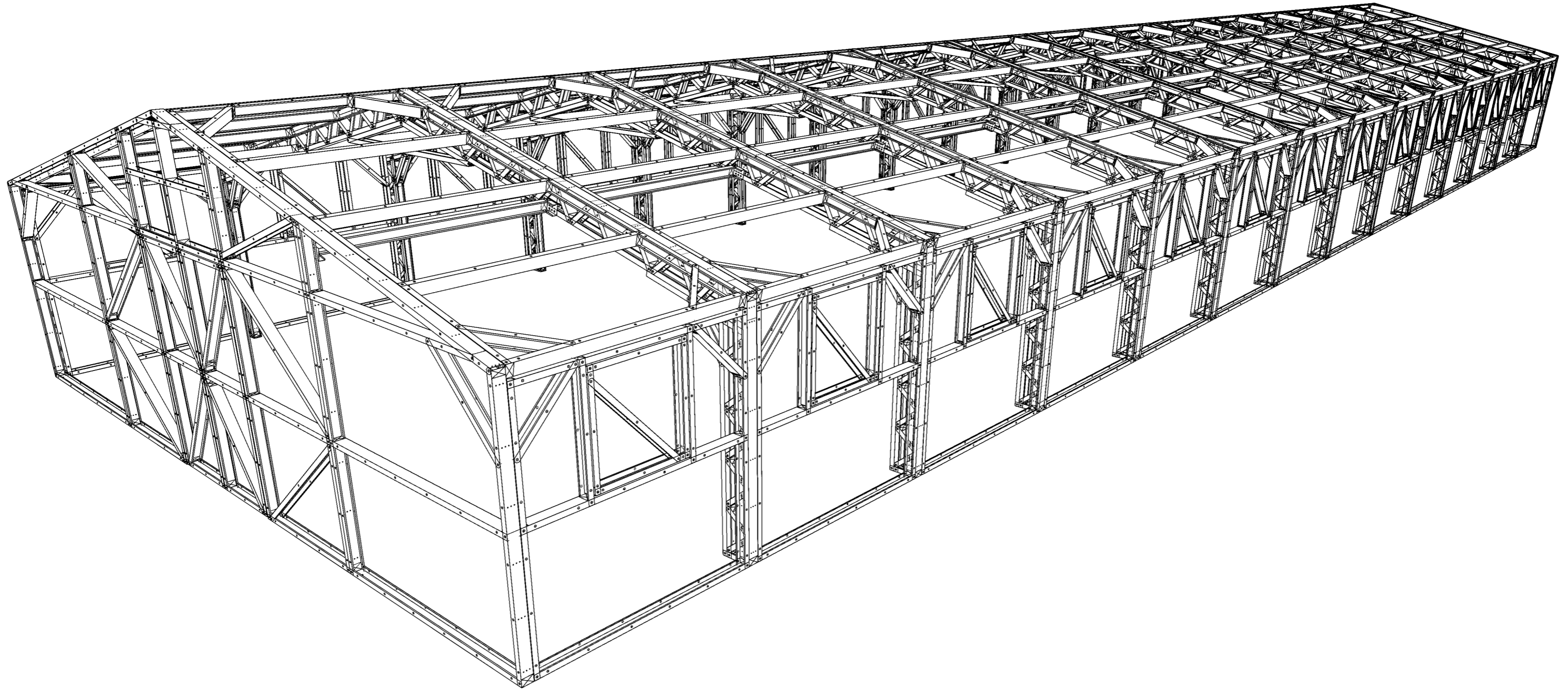


Greenhouse frame 8x28. Assembly drawings



Specification

Wall panels:

FW-1: 2 pcs.

W-1: 4 pcs.

W-2: 24 pcs.

Frames:

PF-1: 26 pcs.

Door panels:

Door: 4 pcs.

Roof panels:

RP-1: 4 pcs.

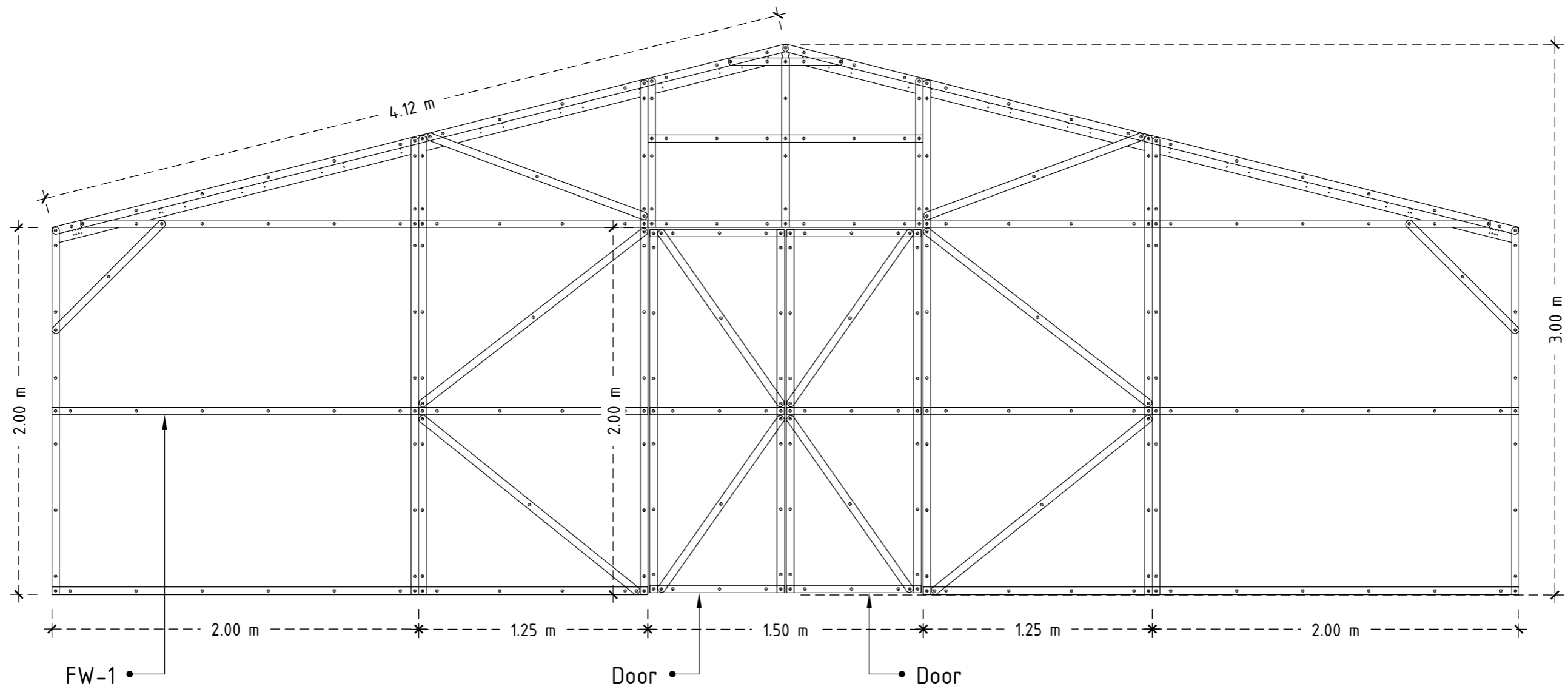
RP-2: 24 pcs.

Wall windows:

WW: 28 pcs.

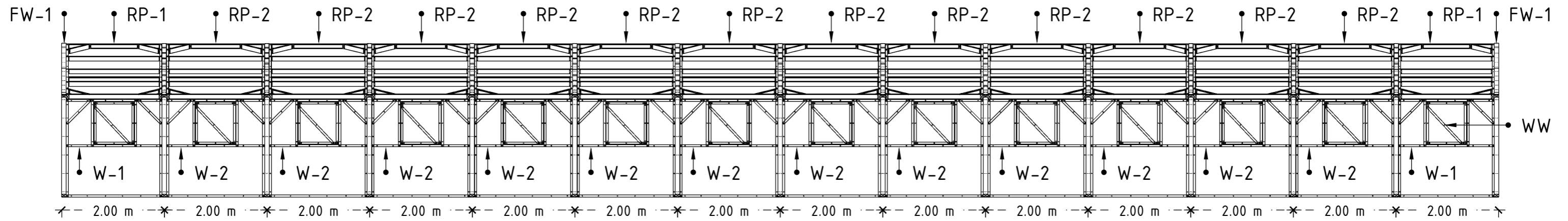
Greenhouse frame 8x28. Assembly drawings

Front view

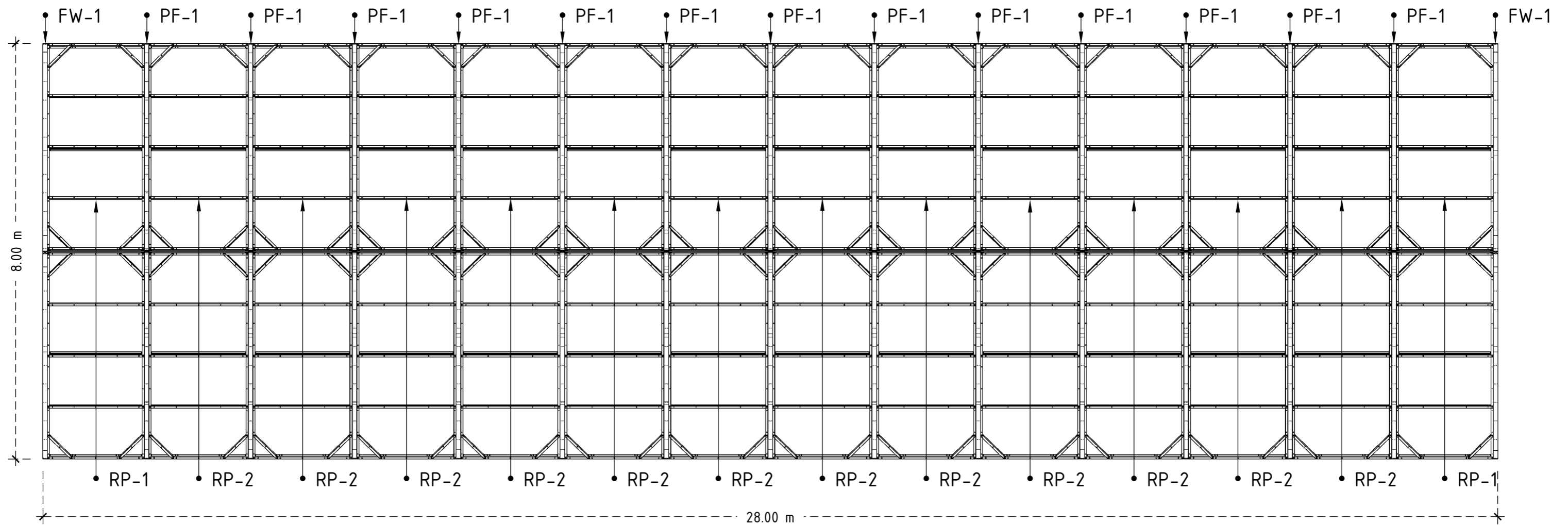


Greenhouse frame 8x28. Assembly drawings

Side view

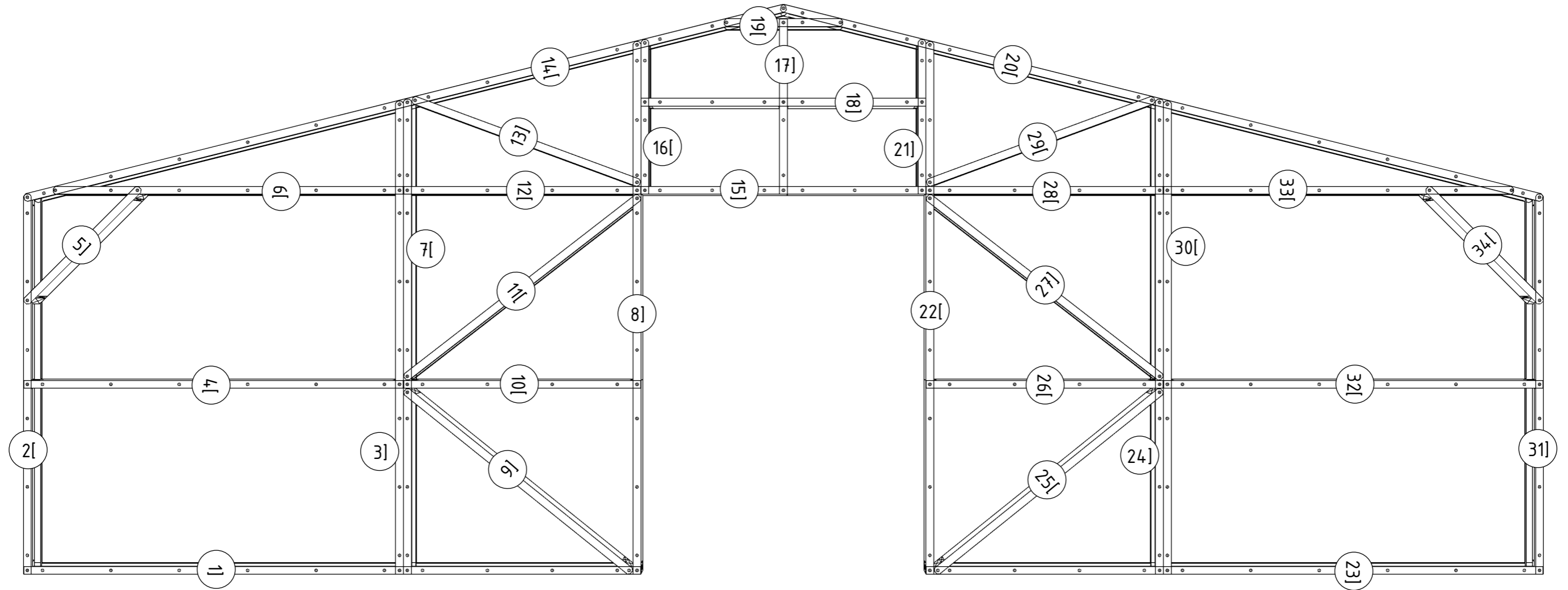


Top view



Greenhouse frame 8x28. Assembly drawings

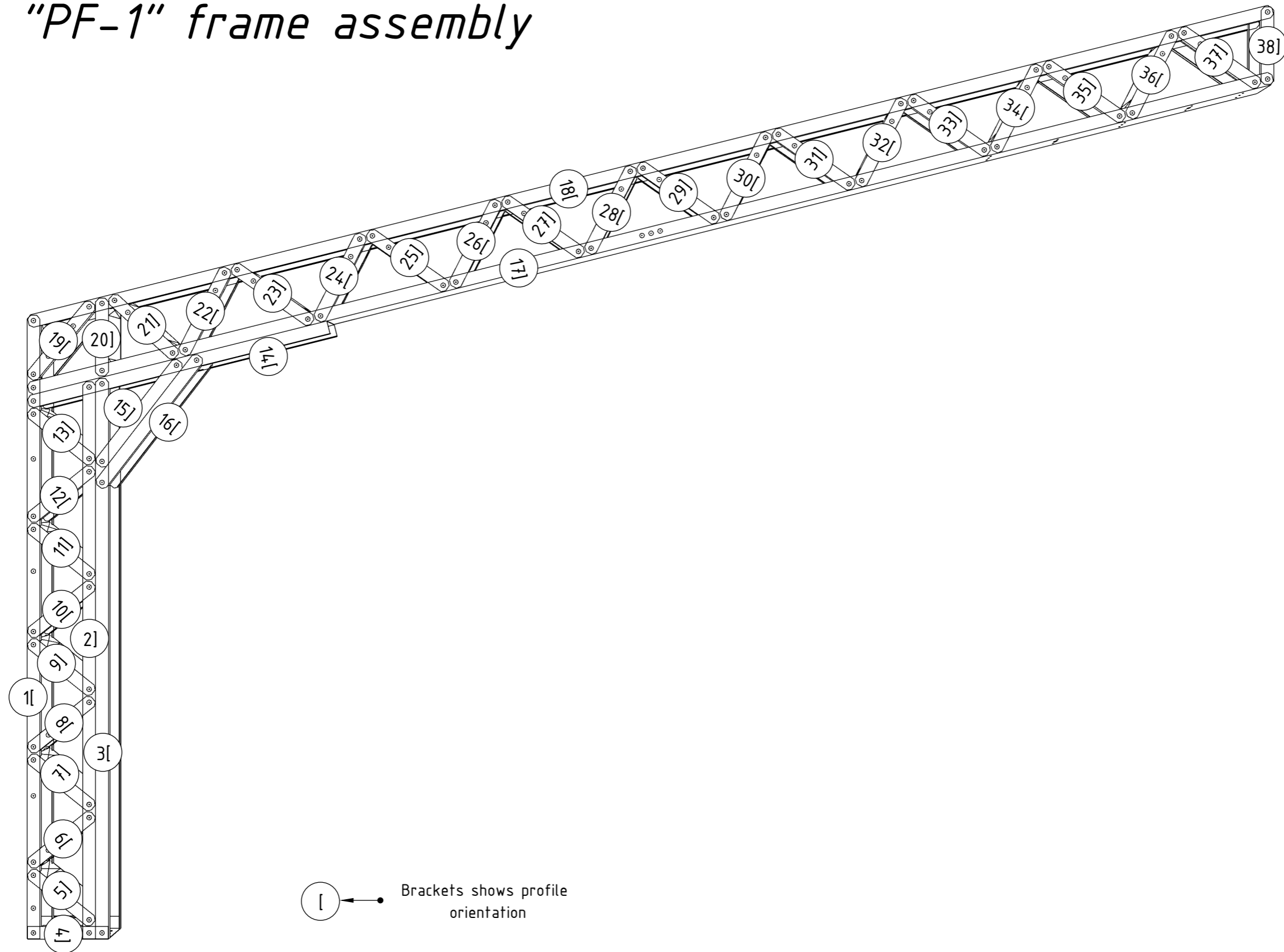
"FW-1" wall assembly



[← Brackets shows profile orientation

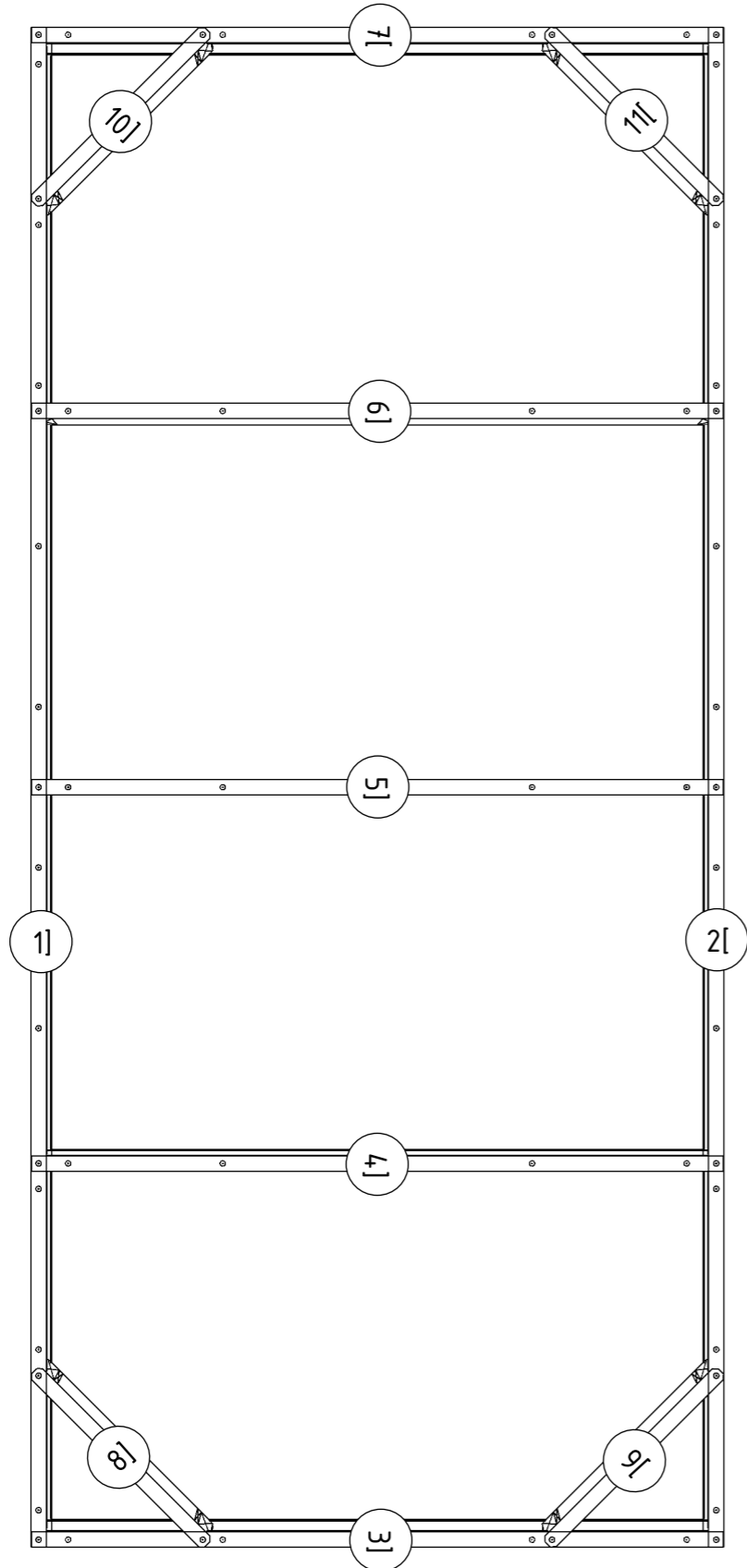
Greenhouse frame 8x28. Assembly drawings

"PF-1" frame assembly

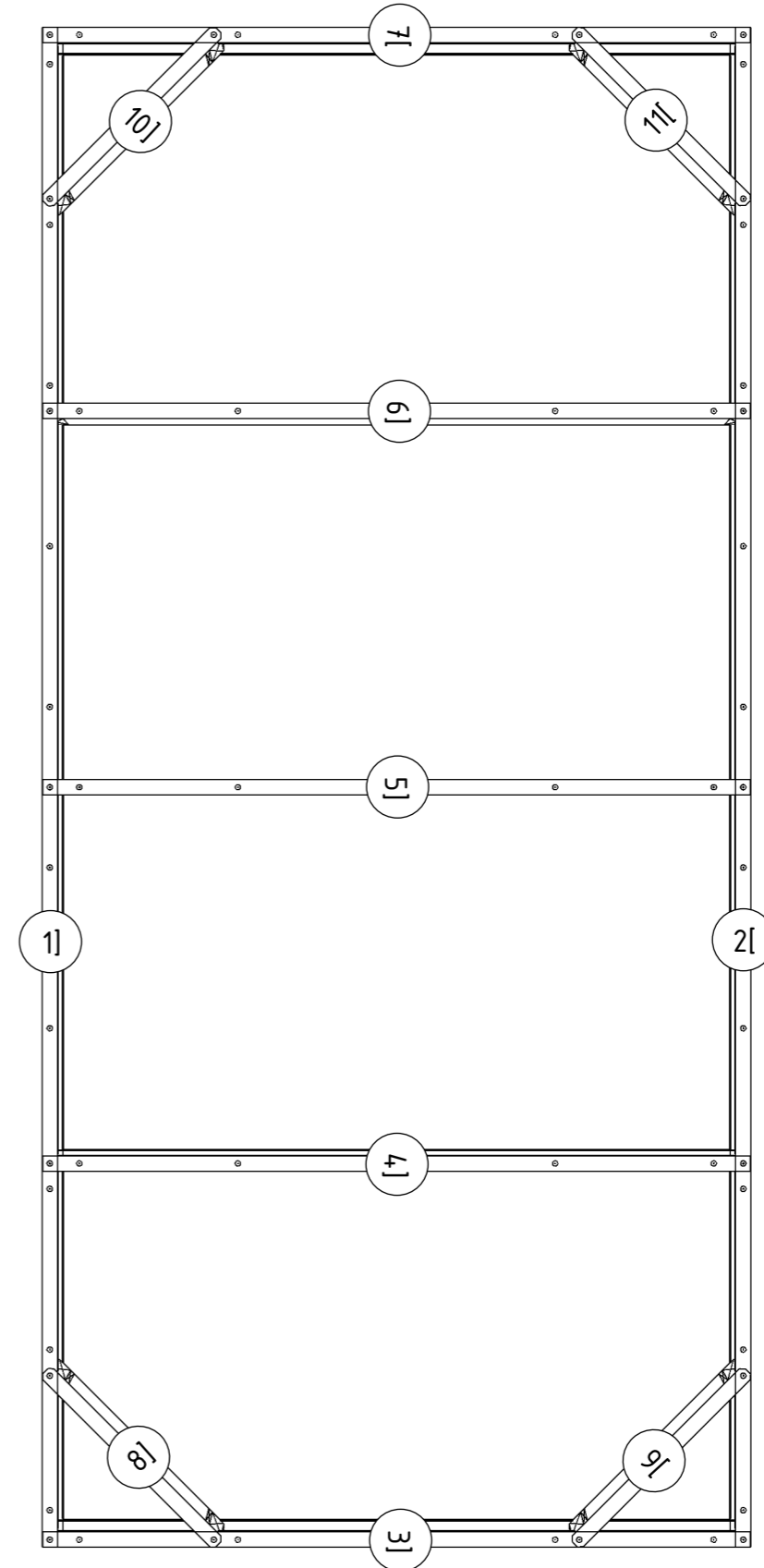


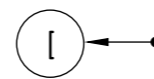
Greenhouse frame 8x28. Assembly drawings

"RP-1" panel assembly



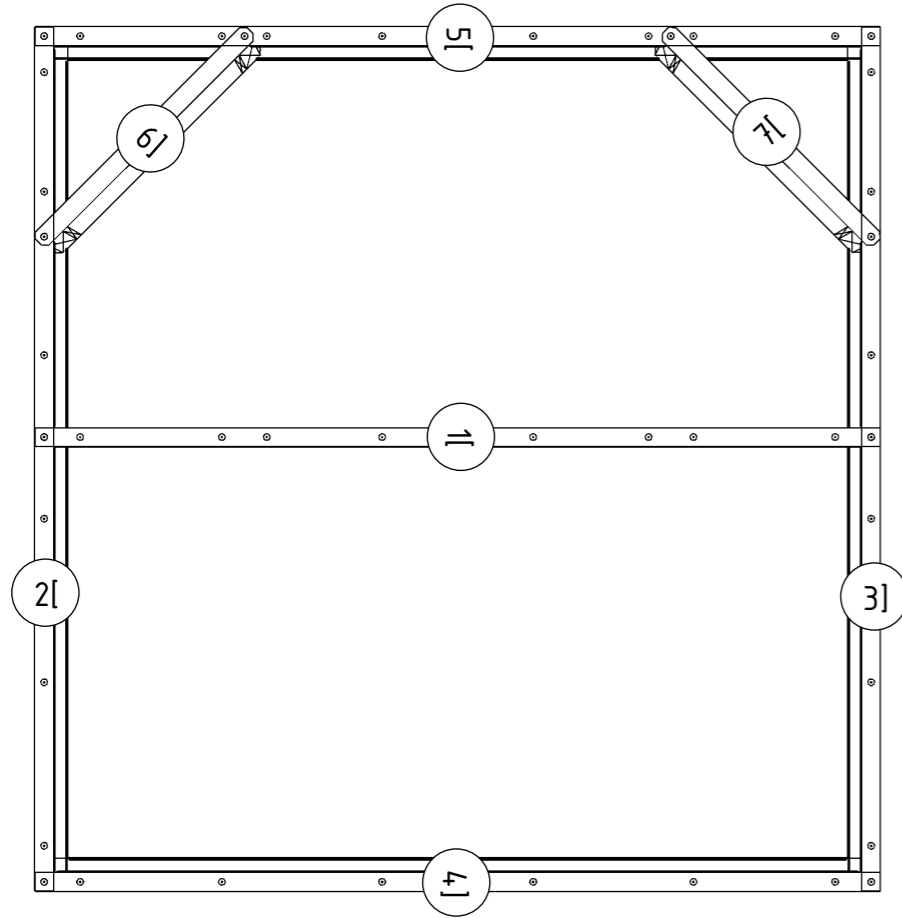
"RP-2" panel assembly



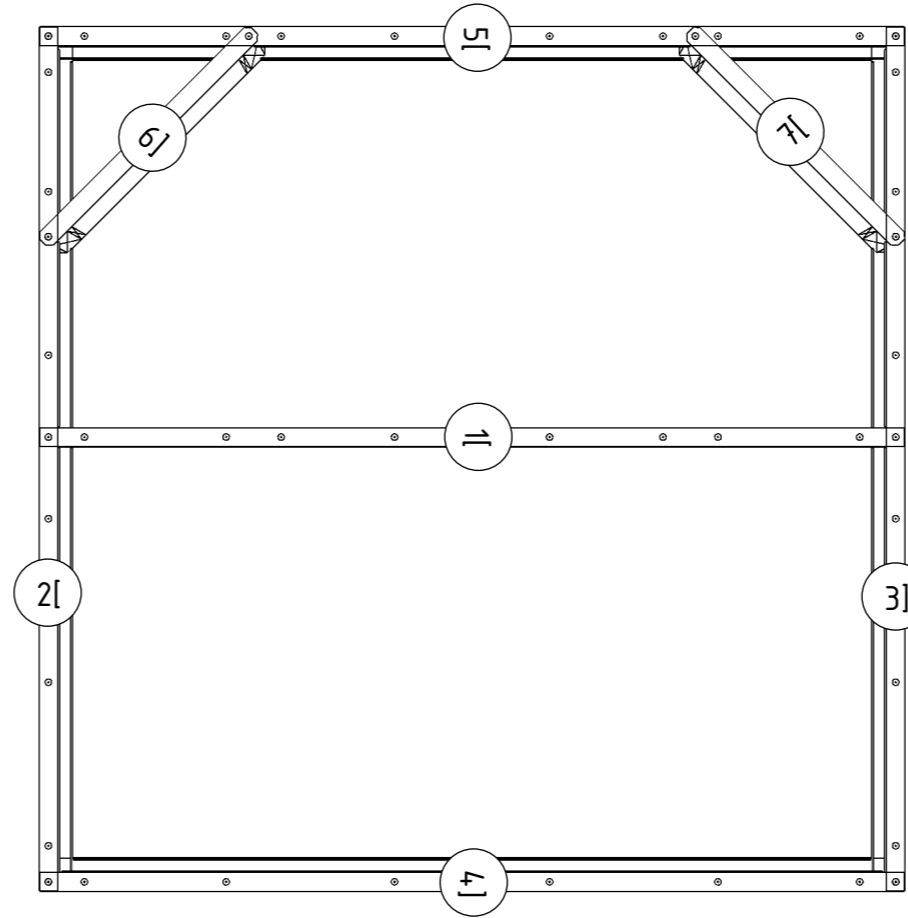
 Brackets shows profile orientation

Greenhouse frame 8x28. Assembly drawings

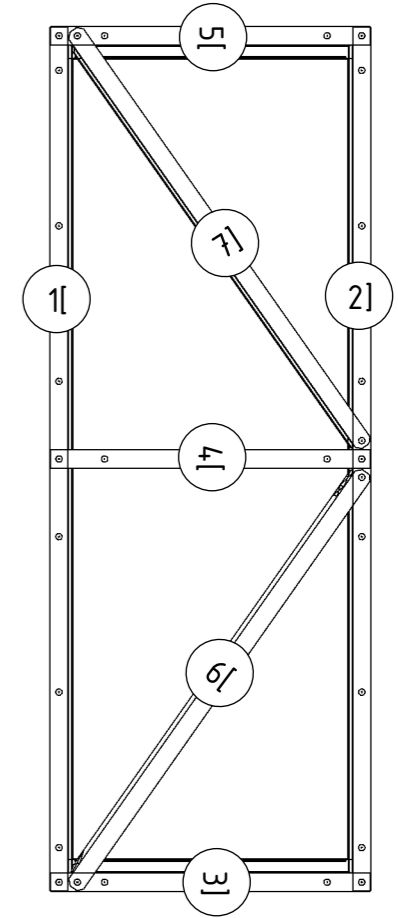
"W-1" wall assembly



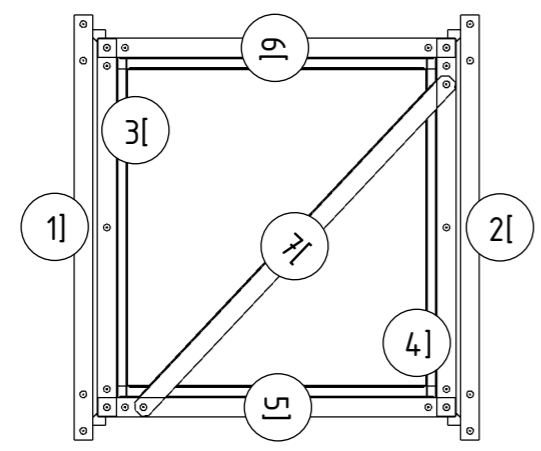
"W-2" wall assembly



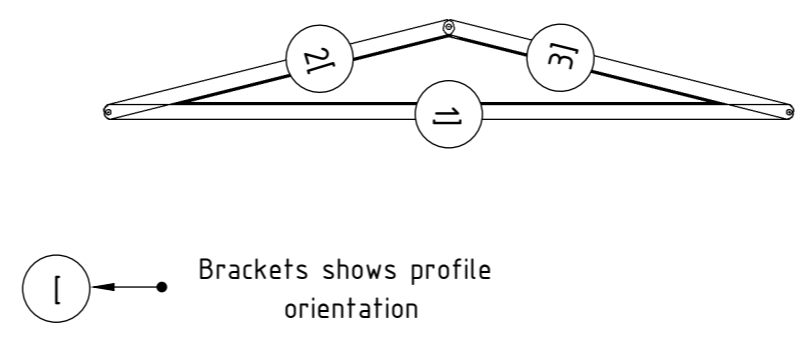
"Door" assembly



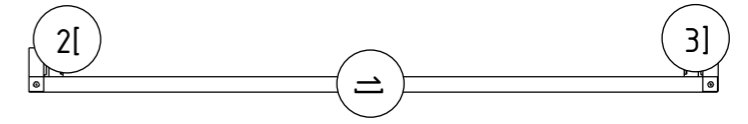
"WW" assembly



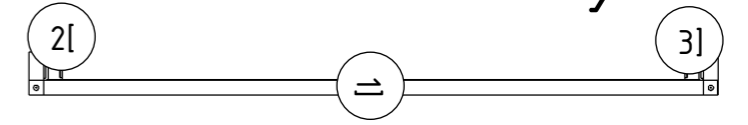
"TR-1" assembly



"RHB-1" assembly

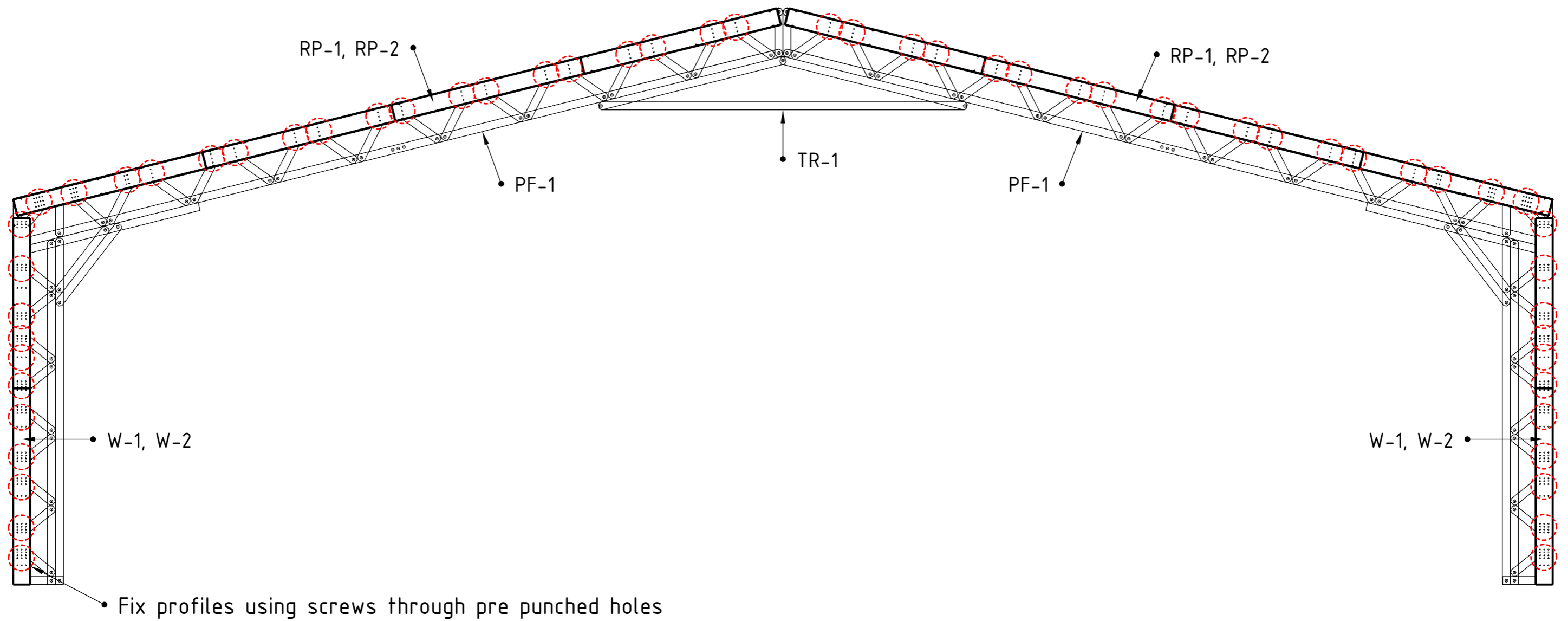


"RHB-2" assembly



Greenhouse frame 8x28. Assembly drawings

"PF-1" and "FW-1" connection to W-1, W-2 ir RP-1, RP-2 panels rule



Greenhouse frame 8x28. Assembly drawings

Section

